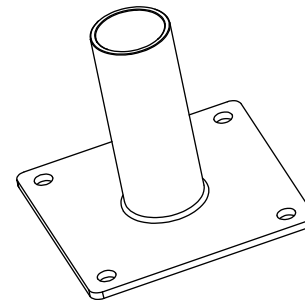
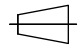



Mount - 4" Wallmount to 2-3/8"(2.5) single head

Product Dimensions



Unit: mm

	
SCALE : 1:1	
Measure Tolerance is: $\pm 0.15\text{ mm}$, $\pm 0.01\text{in}$	